

Lakeside Events

702-240-5290



Lakeside Quinceanera/Sweet 16



Lakeside Events can provide an unforgettable Quinceanera or Sweet 16 at our breath-taking Lakeside facility.



Lakeside Quinceanera

The following Quinceanera packages are all inclusive!

Imagine having a beautiful and unforgettable Quinceanera next to a lake in an exquisite banquet room.

There is no other venue like this anywhere in Las Vegas!

Crystal Quinceanera: \$6,995 for up to 100 People (\$65 per person additional over 100 people)

Services Included

- 5 hour reception
- Tables, Chairs, and Standard Table Linens (Upgraded linens available)
- Special Table for La Quinceanera
- Table for Gifts and Cake
- Small Floral Table Arrangement or 3 Rose Balloon Bouquet (upgrades available)

Buffet Included

- Dinner Buffet (Choose from One Menu: American, Mexican, or Italian Menu)

Drinks/Bar Included

- Cash Bar (you can place a tab on the cash bar to cover as many of your guests drinks as you like)
- Water, Tea, Soda and Coffee
- Sparkling Cider Toast (for those under age 21)
& Champagne Toast (for those over age 21)
(hosted bar options available)

Cake Included

- 3 Tier Cake with Cake Service (Cake Service includes Table, Linen, Utensils, and Server) (several styles to choose from including tres leche and upgrades are available)

Staff

- Professional Bilingual DJ/ Emcee
- Laser Light Show Box for Dance Floor Area
- On site Event Professional
- Professional Servers and Bartenders

*Price Does Not Include 10% Service Fee & 8.15% Sales Taxes on Applicable Items

**Diamond Quinceanera: \$10,995 for up to 200 People
(\$65 per person additional over 200 people)**

Services Included

- 6 hour reception
- Tables, Chairs, and Standard Table Linens (Upgraded linens available)
- Special Table for La Quinceanera
- Table for Gifts and Cake
- Medium Floral Table Arrangement or 5 Rose Balloon Bouquet (upgrades available)
- Head Table Decor (choice of floral arrangement or balloon decor)

Buffet Included

- Dinner Buffet (Choose One Menu: American, Mexican, or Italian Menu)

Drinks/Bar Included

- Cash Bar (you can place a tab on the cash bar to cover as many of your guests drinks as you like)
- Water, Tea, Soda and Coffee
- Sparkling Cider Toast (for those under age 21)
& Champagne Toast (for those over age 21)
(hosted bar options available)

Cake Included

- 4 Tier Cake with Cake Service (Cake Service includes Table, Linen, Utensils, and Server) (several styles to choose from including tres leche and upgrades are available)

Staff

- Professional Bilingual DJ/ Emcee
- Laser Light Show Box for Dance Floor Area
- On site Event Professional
- Professional Servers and Bartenders

*Price Does Not Include 10% Service Fee & 8.15% Sales Taxes on Applicable Items

American Menu Dinner Buffet

1) PLATED SALAD (select ONE):

ACCOMPANIED BY BREAD BASKET & BUTTER

- Mixed Greens w/ Cherry Tomatoes
& House Dressing
- Classic Ceasar - Crisp Romaine Lettuce with
Parmesan Reggiano and Rustic Croutons
- Waldorf Salad - Fresh leaf Lettuce topped
with a mixture of Apples, Walnuts, Celery and
Grapes in a Sweet Creamy Dressing

2) ENTREES (select TWO):

- Flank Steak – Seared Flank Steak with Au jus
- Asian Flank Steak – Asian Influenced, Seared
- Flank Steak doused with Fine Spice Yakatori
Demi Glaze
- Chicken Angelo Provencale – Sautéed
Boneless Breast with Sweet Onions, Olives and
Artichoke Hearts in Light Wine Sauce
- Chicken Marsala – Sautéed Boneless Breast in
Sweet Marsala Wine sauce with Sliced
Mushrooms
- Chicken Picatta Breast– Sautéed Boneless Breast of chicken with Dry
White Wine, Lemon and Capers Sauce
- Chicken Alfredo – Grilled Chicken Breast on
Bowtie Pasta tossed with Creamy Alfredo Sauce
- Seasonal White Fish – Firm White Fish w/ Fresh Dill & Citrus Glaze
- Roast Baron of Beef (carved-to-order)
- Prime Ribs of Beef Au Poivre (carved-to-order)

PLEASE NOTE: \$3 Per Person Additional for Carved to Order Items

Vegetables (Select 1)

- Buttered Baby Whole Carrots
- Steamed Seasonal Vegetables
w/ Lemon Zest
- Sweet Kernel Corn
- Green Beans w/ Caramelized Onions
& Bacon

Starch (Select 1)

- Bow Tie Pasta w/ Sundried Tomato
- Penne Pasta w/ Lemon Pepper Alfredo
Sauce
- Roasted Potatoes w/ Butter and Herbs
- Mashed Potatoes w/ Butter & Herbs
- Rice Pilaf

Mexican Menu Dinner Buffet

ENTREES (select ONE):

_____ Carne La Onda

Chicken and Beef mix, tomatoes, cilantro, onions, (jalapenos choice),
Mexican Style

_____ Pollo En Crema Con Champinones (Chicken in Cream and Mushrooms)
Mashed Potatos, Spaghetti, Vegetales Y Pan

_____ Birria - Arroz, Frijoles, Salsa Y Tortillas

_____ Beef or Chicken Fajitas
Arroz, Frijoles, Salsa Y Tortillas

_____ Chicken Enchiladas (Green Chili Sauce)
Arroz Y Frijoles

_____ Chiles Rellenos
Arroz, Frijoles, Tortillas

_____ Pork In Green Chili Sauce
Arroz, Frijoles, Salsa Y Tortillas

_____ Chicken Or Beef Tamales
Arroz, Frijoles Y Salsa

_____ Chicken or Beef Chimichangas
Arroz, Frijoles Y Salsa

_____ Carnitas
Arroz, Frijoles, Tortillas Y Salsa

Italian Menu Dinner Buffet

1) PLATED SALAD (select ONE):

ACCOMPANIED BY BREAD BASKET & BUTTER

- Mixed Greens w/ Cherry Tomatoes & House Dressing
- Classic Ceasar - Crisp Romaine Lettuce with Parmesan Reggiano and Rustic Croutons
- Waldorf Salad - Fresh leaf Lettuce topped with a mixture of Apples, Walnuts, Celery and Grapes in a Sweet Creamy Dressing

2) ENTREES (select TWO):

- Three Cheese Ziti Al Forno: Ziti pasta in a three marinara sauce, baked with a layer of melted Italian cheeses
- Spaghetti with Meat Sauce: Traditional meat sauce seasoned with garlic and herbs over spaghetti
- Chicken Linguine Ala Marinara: Pasta with a zesty blend of ripe tomatoes, onions and herbs.
- Spaghetti and Meatballs: Traditional meat sauce over spaghetti and meatballs.
- Chicken Alfredo: Grilled Chicken tossed with fettuccine and fresh alfredo sauce.
- Garlic Herb Chicken with Broccoli: Rosemary seasoned chicken breasts sauteed with fresh broccoli in a garlic cream sauce over angel hair pasta.
- Chicken Marsala: Sauteed chicken breasts in a savory sauce of mushrooms, garlic and marsala wine with bell peppers.
- Chicken Scampi: Chicken Breast tenderloins sauteed with bell peppers, roasted garlic and onions in a garlic cream sauce over angel hair pasta

Vegetables (Select 1)

- Buttered Baby Whole Carrots
- Steamed Seasonal Vegetables w/ Lemon Zest
- Sweet Kernel Corn
- Green Beans w/ Caramelized Onions & Bacon

Starch (Select 1)

- Bow Tie Pasta w/ Sundried Tomato
- Penne Pasta w/ Lemon Pepper Alfredo Sauce
- Roasted Potatoes w/ Butter and Herbs
- Mashed Potatoes w/ Butter & Herbs
- Rice Pilaf



Hosted/Cash Bar Options:

_____ Beer & Wine Bar- \$6 per hour per person (3 hour minimum)
for Included Reception Includes: Diet and Regular Soft Drinks, Domestic
Regular and Light Beers: Budweiser, Bud Light, Coors Light, and Miller
Genuine Draft -White Zinfandel -Chardonnay & Merlot Wines -California
Varietals -Italian Pinot Grigio Wine

_____ Full Bar - \$10 per hour per person (3 hour minimum)
for Included Reception Includes: Beer and Wine Bar Above PLUS House
Varieties of: Vodka, Gin, Bourbon, Rum, Whiskey - Mixers Include Tonic
Water, Club Soda , Ginger Ale , Bloody Mary Mix & Orange, Pineapple &
Cranberry Juices

Flowers

We offer a full floral department for Bouquets,
Boutonnieres, Arrangements, etc
Please contact us for information and pricing.

TERMS AND CONDITIONS.

*Packages do not include 14% Service Fee, for set-up, service for waiting staff, & clean-up and
8.15% Sales tax on applicable items.

**Alcohol will only be served to guests 21 and over. Please bring ID.

Non-refundable Deposits for Quinceanera

- \$1500 non-refundable deposit for Crystal Quinceanera
- \$2500 non-refundable deposit for Diamond Quinceanera

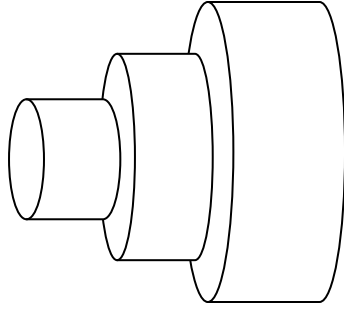
All packages require an additional payment every month based on package total
(all payments are non refundable)

Non- refundable deposits are required upon making your reservation.
Your balance must be paid in full four weeks prior to your event date.

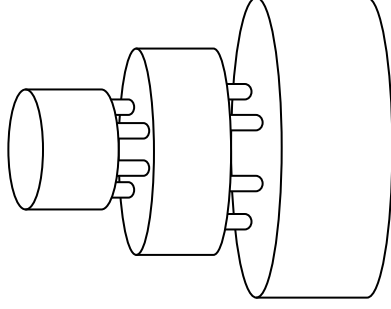
Lakeside Events

3 Tier Cake Style Options

Cake Style Options (select one)

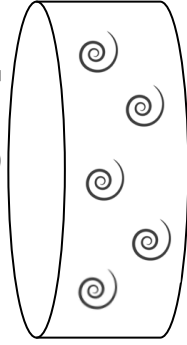


Style 1

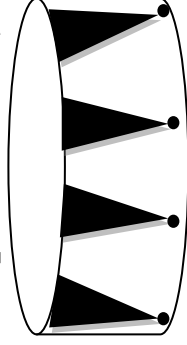


Style 2

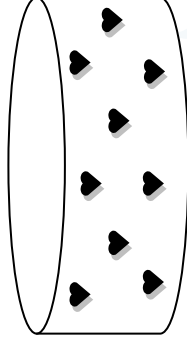
Cake Design Options (select one per cake tier)



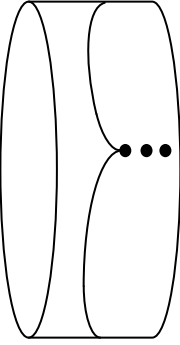
Design 1



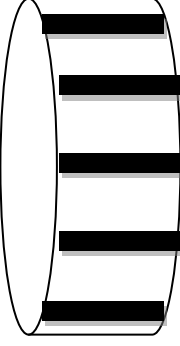
Design 2



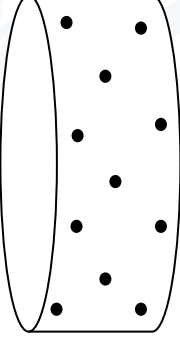
Design 3



Design 4



Design 5



Design 6

You can select 1 icing color of your choice for each cake tier (we strongly recommend white, ivory, light pink, etc as darker colors can easily stain) and 1 to 2 colors for accents per cake tier (Please note: accent color can be used on swirl designs or dots, etc. Color shades may vary.)

You will receive an order form for the cake which details cake flavor and filling options.

Lakeside Events
Linens Color Chart

Color options for Overlay and Napkins

White	Ivory	Black	Gray	Sandalwood	Brown	Tangerine	Pink	Yellow
-------	-------	-------	------	------------	-------	-----------	------	--------

Gold	Orange	Red	Turquoise	Seafoam Green	Kelly Green	Forest Green	Maroon	Violet
------	--------	-----	-----------	---------------	-------------	--------------	--------	--------

Purple	Wedgewood	Royal Blue	Navy Blue
--------	-----------	------------	-----------

Color options for Underlay & Chair Covers

White	Ivory
-------	-------

**Any other colors
can be added for an
additional fee**